

CPS-8015 / 8025

FULLY INTEGRATED SKID-MOUNT OZONE SYSTEM

Fitting seamlessly into existing plumbing with a minimum space requirement, the DEL Ozone CPS-8015 and 8025 skid-mounted fully assembled recirculating ozone systems produce ozone at 15 and 25 grams/hour, respectively, at 2.5-4% by weight. With no assembly required and minimum maintenance, these innovative systems operate under vacuum, for safety, efficiency and ease of operation. All systems have configurable feed-gas options (integrated oxygen concentrator system is standard), multiple safety features, self-diagnostic switching and robust construction. Variable ozone output control is standard on both models.

DEL Ozone generators are built to UL standards, are NSF validated under Standard 50 (includes Annex H) for antimicrobial efficacy and safety and are designed as totally integrated systems providing a synergistic approach to water sanitation in commercial pool applications while giving facility operators a simple, automated, cost-effective and low maintenance system.

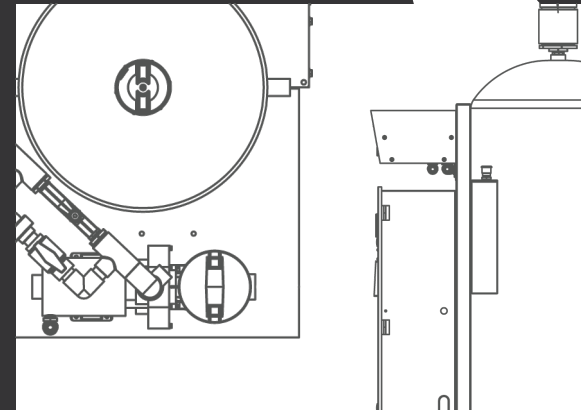
Standard Features

Take the guess-work out of ozone for commercial pools. And you thought ozone was complicated...

Plug and Play
Pre-Plumbed
Pre-Wired
Low Profile

(it's simpler than germicidal UV)

- 20 kHz ceramic tube corona discharge ozone cells
- Integrated DEL Ozone Safety Management System
- Oxygen flow meter
- Complete ozone isolation during shut-down
- Automatic feed-gas flow control to maintain proper operational set-points
- Dry contacts for remote ambient ozone monitor shut-down and user interlock
- Powder-coated steel enclosure designed to NEMA-3R specifications
- Fault protection for:
 - Door open
 - Feed gas pressure failure
 - Vacuum loss
 - Overheating
 - Water backflow
 - Current overdraw
 - Over-pressurizing of oxygen concentrator



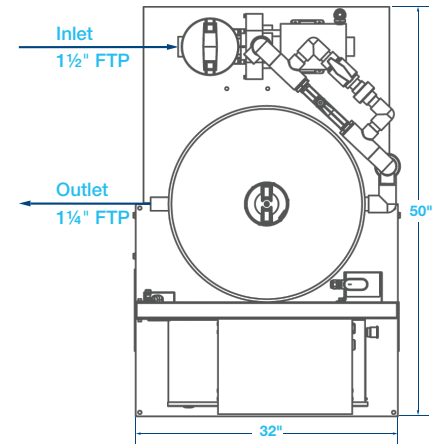
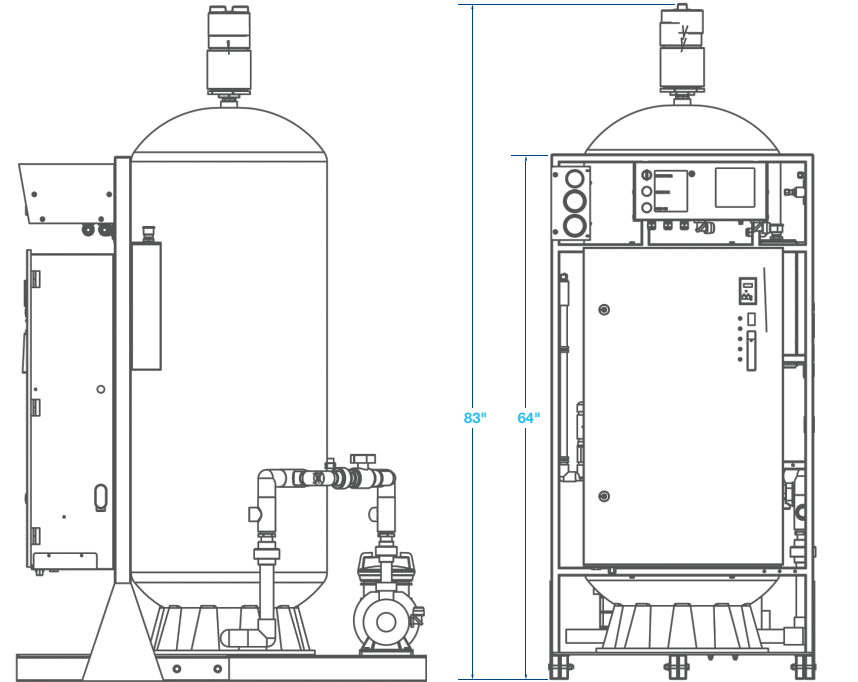
DEL ozone™

EPA Estab. No. 071472-CA-001

Specifications

CPS-8015 / 8025

Dimensions	Skid Dims: 64"H x 32"W x 50"D; Overall Height 83"
Power	230V ± 15V, 60Hz, 20A, 1Ø
Cable	25 ft. of 230V - SEOW-A 12/3 w/ L6-20 NEMA Plug, 250V, 20A
Flow Rate	~30 gpm
Water Connections	1.25" FPT Outlet, 1.5" MPT Inlet
Water Requirements	40° F (4.5° C) to 80° F (27° C)
Ozone Tubing	.375" OD T316 Stainless Steel / .375" OD Teflon FEP
Air Prep System	Filtered, Compressed 90% oxygen
Operating Temperature	40° F (4.5° C) to 100° F (38° C)
Operating Humidity	95% RH, Non-Condensing
Skid	Mild Steel, Powder Coated Cardinal Industrial Finishes T009-GR230
Ozone Generator	CD-15G, 15 g/hr; CD-25G, 25 g/hr; Mild Steel, Powder Coated Cardinal Industrial Finishes T009-GR230
Cooling Water	0.1 gpm, 50-90° F, 40 psi max (3/8" tubing connections)
Control Enclosure	Aluminum, Powder Coated Cardinal Industrial Finishes T009-GR230
Pump	1 1/2-HP, 240V, 1Ø, Stainless Steel
Ozone Reaction Tank	80 gallon composite fiberglass, seamless, NSF-listed polyethylene lined, 75 psi max
Plumbing	Schedule 80 PVC w/ 1078 Kynar Injector
Operator Interface	Ozone Generator: Power switch, power indicator light, ozone power indicator light, low vacuum indicator light, high coolant temperature indicator light, water backflow detector indicator light Control Enclosure: Main power switch, pump power indicator light
Monitor / Controller	Standard: ORP Controller / Monitor 0-1000mV
Ozone Degas	Degas Valve: thermal caps, PVC body and ozone resistant float
Ozone Destruct	DD-0100 Heated Catalytic Gaseous Destruct
Backflow Prevention	.25" MPT (S-S) AFLAS check valve assembly
Weight	300 lbs.



Standard System Components

ORP monitor / controller

Mixing / degas tower

Degas valve

Flow switch

Booster pump

Thermal-catalytic gaseous ozone destruct

Patented Dry-Tap™ ORP sensor port

Injector assembly

Oxygen concentrator

*Ambient ozone monitor / controllers

*Optional DEL System Component

DEL ozone™ www.delozone.com

For more information please contact us
commercialaquatics@delozone.com
 800.676.1335 x 292